



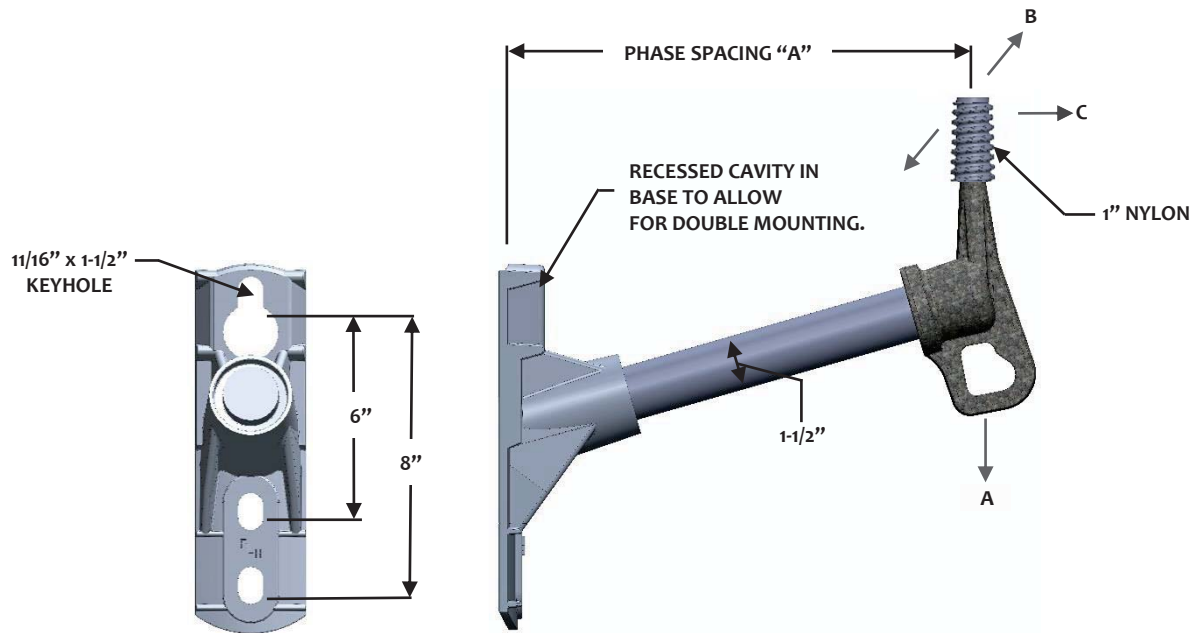
SINGLE PHASE 15° VERTICAL CONDUCTOR SUPPORT BRACKETS

SPECIFICATIONS

- BASE:** ALUMINUM, 356-T6
ROD: SOLID, ELECTRICAL GLASS ROVING WITH ULTRA-VIOLET INHIBITORS. VEIL COATED.
FITTING: DUCTILE IRON, 654512
HARDWARE: STEEL, HOT DIP GALVANIZED

CATALOG NUMBER	PHASE SPACING "A" INCHES	MINIMUM ULTIMATE LOAD (LBS)		
		VERTICAL A	LONG B	TRANS. C
FLHR-1-12-V1	12	1800	1300	1500
FLHR-1-15-V1	15	1500	1100	1500
FLHR-1-18-V1	18	1200	900	1500
FLHR-1-21-V1	21	1125	800	1500
FLHR-1-24-V1	24	1050	700	1500

RECOMMENDED WORKING LOAD 50% OF RATING LISTED



NOTE:
 FOR OTHER LENGTHS PLEASE CONTACT US.
 TO SPECIFY SILICONE COATED ROD, ADD SUFFIX "SC" (I.E. = FLHR-1-12-V1-SC)